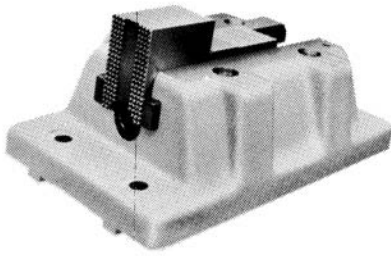


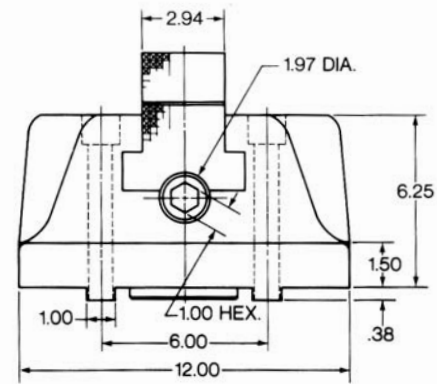
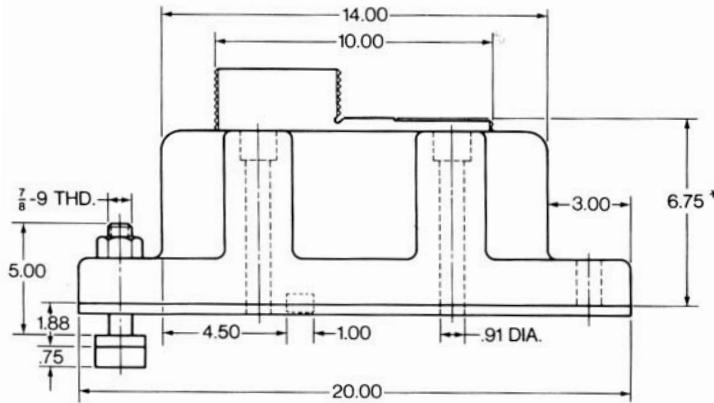
Heavy-Duty Boring Mill Jaws

For tables with Double Parallel Slots



Series 10-076 Steel Bodies **Set of 4 with Solid Reversible Jaws**

SIZE	FACE PLATE JAWS NO.	EST. GROSS WGT. LBS.	PRICE
14	10-076-14-000A	1,250	POA



*Will be uniform in sets within .003.

All parts are priced on application.

Series 10-061, 10-063, 10-073, 10-076

Component Parts

For Older Models

Independent Chucks - Series 10-061, 10-063

SIZE	OPERATING SCREW	THRUST BEARING	WRENCH	JAW
4	05-002501-00	06-201883-00	06-201260-00	04-000326-F0
6	05-002502-00	06-201883-00	06-201260-00	04-000326-F0
8	05-002503-00	06-201883-00	06-201260-00	04-000326-F0
10	05-002504-00	06-201866-00	06-201264-00	04-000857-F0
12	05-003943-00	06-201866-00	06-201264-00	04-000857-F0

Independent Chucks - Series 10-073

SIZE	OPERATING SCREW	THRUST BEARING	WRENCH	JAW
8	05-214201-00	06-217101-00	04-217094-00	03-214200-F0
10	05-217522-00	06-217101-00	04-217094-00	03-214200-F0
12	05-217099-00	06-217101-00	04-217094-00	03-217098-F0
14	05-217518-00	06-217101-00	04-217094-00	03-217098-F0

Independent Chucks - Series 10-076

SIZE	OPERATING SCREW	THRUST BEARING	WRENCH	JAW
14	05-005099-00	06-201948-00	06-201914-00	03-207473-F0