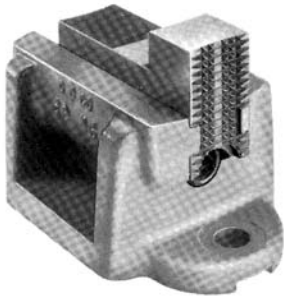


Face Plate and Boring Mill Jaws

- Face plate jaws furnished for tables with single radial slots
- Boring mill jaws furnished for tables with double parallel slots
- Face plate and boring mill jaws available with solid reversible jaws in sets of 4
- Face plate jaws sizes 6", 8"
- Boring mill jaws sizes 8", 10", 12", 14"

Face Plate Jaws For tables with Single Radial Slots

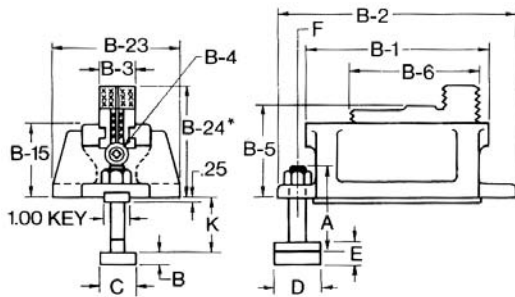


Series 10-063 Steel Bodies Set of 4 with Solid Reversible Jaws

SIZE	FACE PLATE JAWS NO.	EST. GROSS WGT. LBS.	PRICE
6	10-063-06-000D	160	8,000
8	10-063-08-000D	280	8,800

T-Bolt Dimensional Table

JAW SIZE	A	B	C	D	E	F	STD. K MIN.
4" THRU 8"	3.00	.53	1.31	1.75	.97	3/4-10	1.437-.750



Dimensional Table Series 10-063

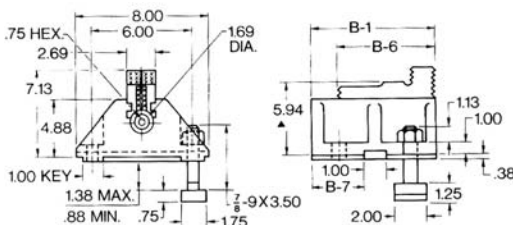
JAW SIZE	6	8
B-1	6.25	8.25
B-2	8.50	10.50
B-3	1.69	1.69
B-4	1.17	1.17
B-5	4.38	4.38
B-6	5.00	5.00
B-15	3.75	3.75
B-23	5.00	5.50
B-24	5.25	5.25

Boring Mill Jaws For tables with Double Parallel Slots



Series 10-073 Steel Bodies Set of 4 with Solid Reversible Jaws

SIZE	BORING MILL JAW NO.	EST. GROSS WGT. LBS.	PRICE
8	10-073-08-000B	260	8,250
10	10-073-10-000B	320	9,500
12	10-073-12-000B	360	10,500
14	10-073-14-000B	420	12,500

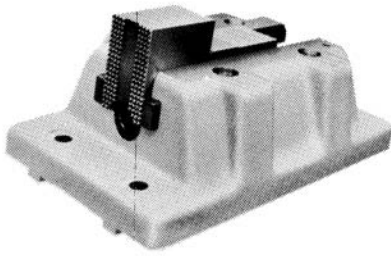


Dimensional Table Series 10-073

JAW SIZE	8	10	12	14
B-1	8.00	10.00	12.00	14.00
B-6	6.00	6.00	8.00	8.00
B-7	3.50	3.00	3.50	4.50

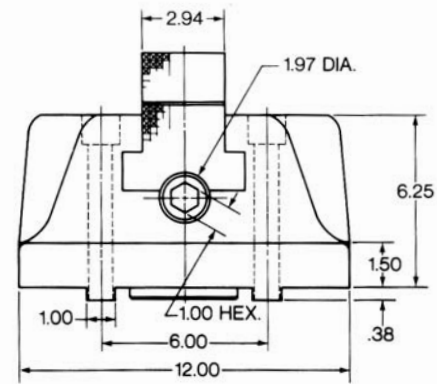
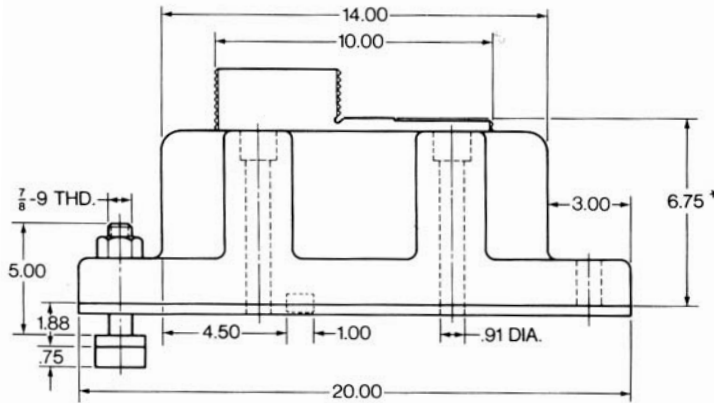
Heavy-Duty Boring Mill Jaws

For tables with Double Parallel Slots



Series 10-076 Steel Bodies Set of 4 with Solid Reversible Jaws

SIZE	FACE PLATE JAWS NO.	EST. GROSS WGT. LBS.	PRICE
14	10-076-14-000A	1,250	POA



*Will be uniform in sets within .003.

All parts are priced on application.

Series 10-061, 10-063, 10-073, 10-076

Component Parts

For Older Models

Independent Chucks - Series 10-061, 10-063

SIZE	OPERATING SCREW	THRUST BEARING	WRENCH	JAW
4	05-002501-00	06-201883-00	06-201260-00	04-000326-F0
6	05-002502-00	06-201883-00	06-201260-00	04-000326-F0
8	05-002503-00	06-201883-00	06-201260-00	04-000326-F0
10	05-002504-00	06-201866-00	06-201264-00	04-000857-F0
12	05-003943-00	06-201866-00	06-201264-00	04-000857-F0

Independent Chucks - Series 10-073

SIZE	OPERATING SCREW	THRUST BEARING	WRENCH	JAW
8	05-214201-00	06-217101-00	04-217094-00	03-214200-F0
10	05-217522-00	06-217101-00	04-217094-00	03-214200-F0
12	05-217099-00	06-217101-00	04-217094-00	03-217098-F0
14	05-217518-00	06-217101-00	04-217094-00	03-217098-F0

Independent Chucks - Series 10-076

SIZE	OPERATING SCREW	THRUST BEARING	WRENCH	JAW
14	05-005099-00	06-201948-00	06-201914-00	03-207473-F0