



Series **10-752**

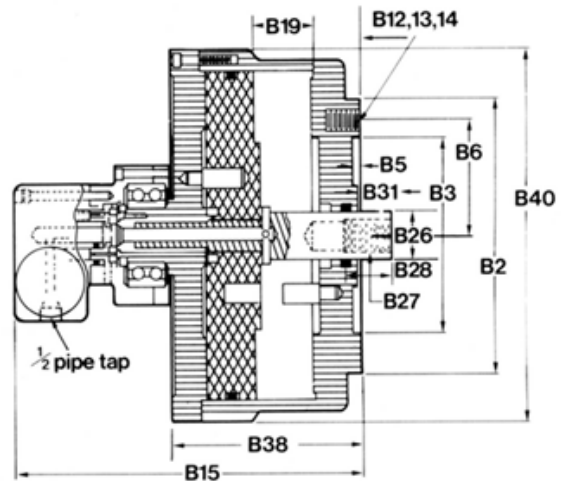
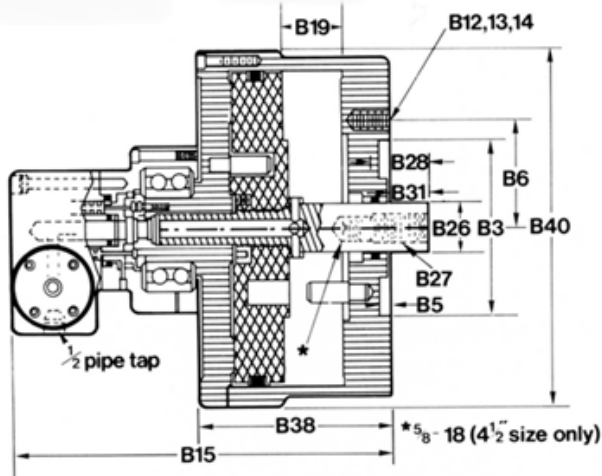
Cushman © Air Cylinders

High Quality, Double Acting Pneumatic Cylinders

[Exploded View Manual](#)

Special Features:

- Double Acting
- Aluminum Body
- Precision Fine Finished Bores
- Sizes 4" through 20"
- Patented Swivel Connection
- Provides Maximum Performance



Cylinder Specifications

Cyl. Size	Cylinder Model No.	Est. Gross Weight (lbs)	Piston Diameter	Piston Stroke	Max. rpm	Max. Draw Bar Pull *	Max PSI *	WR ² inertia lbs.ft ²	Price
4"	10-752-04	17	4.50	1.00	4,000	1226	90	0.3	\$3,800
6"	10-752-06	32	6.00	1.50	4,000	2191	90	0.8	\$3,800
8"	10-752-08	39	8.00	1.50	3,900	3972	90	3.1	\$5,000
10"	10-752-010	57	10.00	1.50	3,000	6218	90	4.2	\$5,000
12"	10-752-12	72	12.00	1.50	2,400	9018	90	8.0	\$5,000
14"	10-752-14	112	14.00	2.00	1,980	12326	90	19.5	\$6,800
16"	10-752-16	137	16.00	2.00	1,560	16032	90	28.0	\$7,000
18"	10-752-18	212	18.00	2.00	1,470	20359	90	52.6	\$9,200
20"	10-752-20	227	20.00	2.00	1,300	29049	90	80.0	\$10,000

* Operating Efficiency of 90% rated at 90psi. The operator must ensure that the chuck and cylinder complies with all safety instructions before use. The preceding table provides a quick guide to the safe operating speeds.

Series 10-752

Cylinder Dimensions

Cyl. Size	Cylinder Model No.	B2	B3*	B5	Bolt Pattern B6	R2	B12	B13**	B14**	B15	B19	B26	B27	B28	B31	B38	B40
4"	10-752-04	-	3.000	0.312	1.875	-	3/8-16UNC	0.75	4.00	8.88	1.00	1.00	3/4-16UNC	1.50	1.00	4.00	5.5
6"	10-752-06	-	4.500	0.312	2.750	-	1/2-13UNC	1.00	4.00	9.88	1.50	1.25	3/4-16UNC	1.50	1.00	5.00	7.13
8"	10-752-08	6.75	4.500	0.312	2.750	-	1/2-13UNC	1.00	4.00	9.88	1.50	1.25	3/4-16UNC	1.50	1.00	5.00	9.13
10"	10-752-010	8.38	6.000	0.312	3.500	-	5/8-11UNC	1.12	6.00	10.50	1.50	1.50	1-14UNC	1.50	1.00	5.75	11.25
12"	10-752-12	8.38	6.000	0.312	3.500	-	5/8-11UNC	1.12	6.00	12.13	1.50	1.50	1-14UNC	1.50	1.00	5.75	13.25
14"	10-752-14	10.88	6.000	0.312	3.500	4.750	5/8-11UNC	1.12	12.00	12.13	2.00	1.50	1-14UNC	1.50	1.00	7.31	15.25
16"	10-752-16	10.88	6.000	0.312	3.500	4.750	5/8-11UNC	1.12	12.00	12.13	2.00	2.00	1 1/4-12UNC	1.88	1.00	7.31	17.50
18"	10-752-18	10.88	6.000	0.312	3.500	4.750	5/8-11UNC	1.12	12.00	12.13	2.00	2.00	1 1/4-12UNC	1.88	1.00	7.31	19.38
20"	10-752-20	10.88	6.000	0.312	3.500	4.750	3/4-10UNC	1.25	12.00	12.13	2.00	2.25	1 1/2-12UNC	2.25	1.00	7.31	21.50

*Dimensions - 0.000/+0.001" ** Depth & Number of Tapped Holes

Parts Kits for Series 10-752

Cyl. Size	Cylinder Model No.	Part Kit Order Number	Price (US\$)
4"	10-752-04	06-217201-00	\$300
6"	10-752-06	06-217202-00	\$300
8"	10-752-08	06-217203-00	\$325
10"	10-752-010	06-217204-00	\$325
12"	10-752-12	06-217205-00	\$325
14"	10-752-14	06-217206-00	\$350
16"	10-752-16	06-217207-00	\$375
18"	10-752-18	06-217208-00	\$420
20"	10-752-20	06-217209-00	\$475

Air Lock/Air Swivel Connection for Series 10-752 Air Cylinders	Price (US\$)
Complete Swivel Assembly - Part Number 06-214827-00	\$1,200

