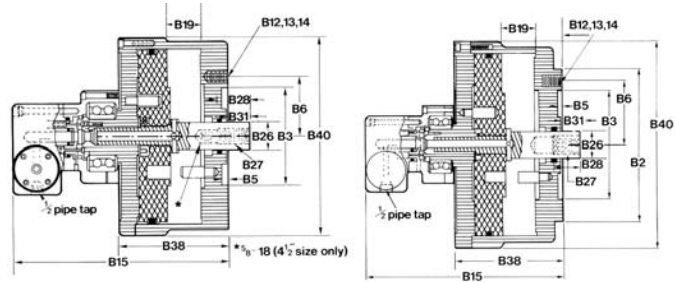


AIR CYLINDER SERIES 10-752

These double-acting, rotating, aluminum body, air operated cylinders are especially designed for power chuck actuation. Trouble-free service is due to precision finishing bores and the patented swivel connection which provides maximum performance.



10-752 Series

Model	10-752-04Z	10-752-06Z	10-752-08Z*	10-752-10Z*	10-752-12Z*	10-752-14Z*	10-752-16Z*	10-752-18Z*	10-752-20Z
Price	3,800	3,800	5,000	5,000	5,000	6,800	7,000	9,200	10,000
Piston Diameter	4.50	6.00	8.00	10.00	12.00	14.00	16.00	18.00	20.00
Piston Area Sq. Inch	15.14	27.05	49.04	76.77	111.33	152.17	197.92	251.34	309.25
Piston Stroke	1.0	1.50	1.50	1.50	1.50	2.00	2.00	2.00	2.00
Max. Recommended Speed RPM	4,000	4,000	3,900	3,000	2,400	*1,980	1,560	1,470	1,300
Draw Bar Pull at Max Pressure Lbs.*	1,226	2,191	3,972	6,218	9,018	12,326	16,032	20,359	29,049
Max. Pressure PSI	90	90	90	90	90	90	90	90	90
Weight Lbs.	17	32	39	57	72	112	137	212	227
WR ² Inertia Lbs. Ft. ²	.3	.8	3.1	4.2	8.0	19.5	28.0	52.6	80.0

*Operating Efficiency 90%

Dimensions

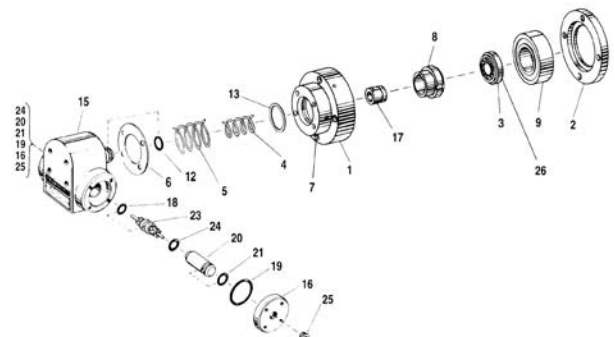
Size	4"	6"	8"	10"	12"	14"	16"	18"	20"
B-2	--	--	6.750	8.380	8.380	10.880	10.880	10.880	10.880
B-3	3.001	4.501	4.501	6.001	6.001	6.001	6.001	6.001	6.001
B-5	.312	.312	.312	.312	.312	.312	.312	.312	.312
B-6	1.875	2.750	2.750	3.500	3.500	3.500	3.500	3.500	3.500
R-2	--	--	--	--	--	4.750	4.750	4.750	4.750
B-12	.375-16UNC	.500-13UNC	.500-13UNC	.625-11UNC	.625-11UNC	.625-11UNC	.625-11UNC	.625-11UNC	.750-10UNC
B-13*	.750	1.000	1.000	1.120	1.120	1.120	1.120	1.120	1.250
B-14†	4.000	4.000	4.000	6.000	6.000	12.000	12.000	12.000	12.000
B-15	8.880	9.880	9.880	10.500	12.130	12.130	12.130	12.130	12.130
B-19	1.000	1.500	1.500	1.500	1.500	2.000	2.000	2.000	2.000
B-26	1.000	1.250	1.250	1.500	1.500	1.500	2.000	2.000	2.500
B-27	.750-16UNF	.750-16UNF	.750-16UNF	1.000-14UNS	1.000-14UNS	1.000-14UNS	1.250-12UNF	1.250-12UNF	1.500-12UNF
B-28	1.500	1.500	1.500	1.500	1.500	1.500	1.880	1.880	2.520
B-31	1.000	1.000	1.000	1.000	1.000	1.000	1.000	1.000	1.000
B-38	4.000	5.000	5.000	5.750	5.750	7.310	7.310	7.310	7.310
B-40	5.500	7.130	9.130	11.250	13.250	15.250	17.500	19.380	21.500

*B-13 Full depth of thread †B-14 Number of tapped holes

PARTS KITS FOR SERIES 10-752

Cylinder Size in Inches	Parts Kit	Price
4"	06-217201-00	300
6"	06-217202-00	300
8"	06-217203-00	325
10"	06-217204-00	325
12"	06-217205-00	325
14"	06-217206-00	350
16"	06-217207-00	375
18"	06-217208-00	420
20"	06-217209-00	475

Air Lock/Air Swivel Connection for Series 10-752 Air Cylinders
Complete Swivel Assembly - Part No. 06-214827-00 - \$1,200



DETAIL NO.	1	2	3	4	5	6	7	8	9	PARTS KIT*
Cylinder Size (in.)	Body	Guide Pin	Cylinder Body "O Ring"	Piston Rod	Piston Rod "O" Ring	Piston	Piston "O" Ring	Cylinder Cap	Gasket	
4"		15-002181-00	ARP568 02140	04-207155-00	ARP568 01140	04-205450-00	APR568 03460	14-001023-00	98-00218000	06-217201-00
6"		15-002235-00	ARP568 02180	04-205445-00	ARP568 01140	04-205451-00	APR568 04330	14-001065-00	98-00223700	06-217202-00
8"	Not	15-002235-00	ARP568 02180	04-205445-00	ARP568 01140	04-205452-00	APR568 04430	13-000658-00	98-00107000	06-217203-00
10"	Available	15-002412-00	ARP568 03250	04-209517-00	ARP568 01140	04-205453-00	APR568 04480	13-000695-00	98-00278300	06-217204-00
12"	as a	15-002412-00	ARP568 03250	04-209517-00	ARP568 01140	04-205454-00	APR568 04520	12-001129-00	98-00278200	06-217205-00
14"	Service	15-000167-00	ARP568 03250	04-205447-00	ARP568 01140	03-205455-00	APR56804560	12-001328-00	98-00017600	06-217206-00
16"	Part	15-000167-00	ARP568 03290	04-205448-00	ARP568 01140	03-205456-00	APR568 04600	12-001559-00	98-00080000	06-217207-00
18"		15-000167-00	ARP568 03290	04-205448-00	ARP568 01140	03-205457-00	98-206901-00	12-001891-00	98-00298000	06-217208-00
20"		15-000167-00	ARP568 03330	04-205449-00	ARP568 01140	03-205458-00	98-206902-00	12-002270-00	98-00394400	06-217209-00

*Parts kit includes Cylinder Details #3, 5, 7, and 9, as well as Air Swivel Connection Details #4, 5, 6, 8, 12, 13, 17, 18, 19, 21, 24 and 26

Air Lock / Air Swivel Connection for Series 10-752 Air Cylinders

Complete Swivel Assembly - Part No. 06-214827-00 (see previous page)

DETAIL NO.	1	2	3	4	5	6	7
For All Cylinder Sizes	Swivel Body Assembly	Swivel Clamp Ring	Bearing Plate	Inner Spring	Outer Spring	Swivel Cap Gasket	Swivel Lockscrew
Part No.	06-208009-00	15-002179-00	15-003578-00	98-003747-00	98-003597-00	98-002520-00	15-002164-00
Quantity	1	1	1	1	1	1	1

DETAIL NO.	8	9	10	11	12	13	14
For All Cylinder Sizes	Outer Bearing Assembly	Ball Bearing	Socket Head Capscrew	Socket Head Capscrew	"O" Ring	"O" Ring	Low Head Socket Lockscrew
Part No.	06-201719-00	98-206492-00	SC-1620 22500	SC1620 12500	ARP568 01140	ARP568 02220	98-234217-00
Quantity	1	1	4	4	1	1	4

DETAIL NO.	15	16	17	18	19	20	21
For All Cylinder Sizes	Swivel Cap	End Cap	Inner Bearing	"O" Ring	"O" Ring	Check Valve	"O" Ring
Part No.	03-214574-00	05-214576-00	06-201720-00	ARP568 00130	ARP568 00260	98-14642-00	ARP568 00150
Quantity	1	2	1	1	2	2	2

DETAIL NO.	22	23	24	25	26
For All Cylinder Sizes	Button Head Capscrew	Valve Pin	Stop Washer	Plug	Bearing Plate Gasket
Part No.	BH1024 06250	05-214577-00	98-214636-00	FPP827	98-241581-00
Quantity	8	1	2	2	1

Check Valve Kit*	*Kit includes 2 each of Details #19, 20 & 21; and 1 each of Detail #18. Priced on application.
06-231281-00	